

HSAJET® MiniTouch MTHP4

Touch Controller ideal for integration on
packaging lines - webs - inserters
- folders - collators



HP TIJ 2.5 technology

The HSAJET® MiniTouch is based upon reliable HP TIJ2.5 technology which delivers consistent, high-quality, fast printing, exceptional value, and ease of use.

Robust design

The elegant black aluminium-casing underlines the robust design making it perfect for installation in production environments.

The USB port is found on the side of the MiniTouch. A small cover protects it when not in use.

5.7" Touch Interface

Use the touch pen or simply a pointed finger to control the MiniTouch. Illustrative, easy to understand, icons lead users through all phases of building a print job making printing simple and fast.

Easy to integrate and use

With its small size, the controller fits where you want it. With the printheads mounted externally the printer can be used for downprint as well as sideprint. The compact version gives you controller and printhead in one unit making it ideal for side printing eg. on boxes.

Choose from ½" - 2" printheight

The HSAJET® MiniTouch MTHP4 can control up to 2" print height. Mount the controller directly on a one or two-pen printhead for a compact version or utilize the flexibility of the MiniTouch to connect up to 4 pens to the controller, either as single heads or with a distributor box in a combination of 1, 2, and 3-pen printheads.

No time between prints

While the first print is being executed you are able to setup the next layout for printing. Once the first layout has been printed you can execute the prepared layout right away.

Advanced administrator options in software

A flexible user level management can guarantee that the correct data is printed. You are also able to grant user rights as desired and protect by a unique password. In addition content may be filled by a user prompt which optionally must be validated by a different user for guaranteed accuracy.

The controller is preloaded with a wide range of menu languages, as well as localized month- and day names.

Print at breakthrough speeds of up to 300 m/min (984 ft/min) in 300 x 150 dpi

- GRAPHICS
- TEXT (ALPHANUMERICAL)
- COUNTERS
- PRINTLOG
- SHIFT CODES
- LINEAR BARCODES*
- DATE & TIME (REAL-TIME & ADJUSTED)
- ANY WINDOWS TRUE TYPE FONT

* For information on specific barcodes please go to www.hsasystems.com

Technical Details

HSAJET® MINITOUCH MTHP4

Technology

HP TIJ 2.5

Printhead frequency

15 KHz

Print height

50.8 mm / 2"
1, 2, 3 or 4 pen printheads

Print head distance

0.5 - 2.0 mm
(nozzle to print surface)

Voltage

100-240 VAC

Memory

2 Gb

Screen

1/4" VGA Touch Screen
320 x 240 pixel colour

Design software

MiniDraw (PC) or on controller

Software menu language

English (multiple languages)

Print features

Left/Right
Upside-down
Other side
Bidirectional

Layout features

Max. length 65000 px
(~277 cm in 600 DPI)
Object rotation (fixed)
Link field content
Works with mm/inch/point/pixel

Interface

USB
RS232
100 Mbit Ethernet
Encoder Input 5-24V (SUB-D9)
Product Sensor 5-24V (SUB-D9)

Signals

Low ink signal
Print signal
Print message signal

Complies to

CE directives

Resolution (DPI) (horizontal x vertical)	Max. speed	
	m / min	feet / min
600 x 600	38	125
300 x 300	76	250
600 x 300 1 row	38	125
300 x 300 1 row	152	500
300 x 300	152	500
300 x 150	306	1000

Housing

Black anodised aluminium

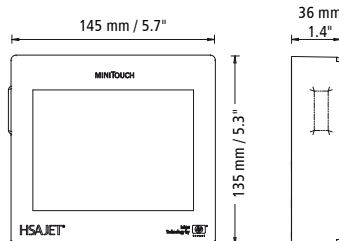
Weight

MTHP4: 0.8 kg
Power Supply: 1.5 kg

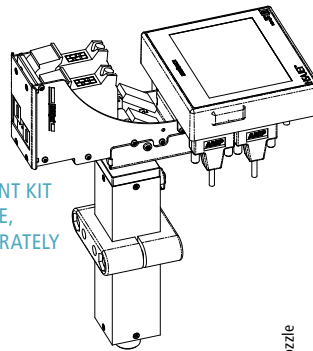
Accessories

- Telescope Mountkit for compact mount of 1 or 2 pen side/low and MiniTouch
- Telescope Mountkit for 1, 2, 3 or 4 pen side/low printhead
- Sensor and encoder
- Bridges & Brackets
- Mountings (Inocon 53 mm)
- Printheads (see other flyer)
- Distributor box

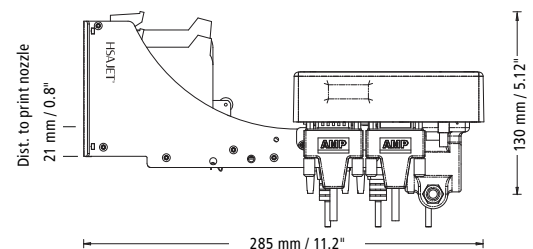
MTHP4



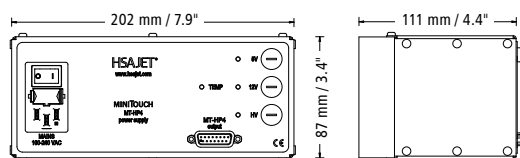
TELESCOPE MOUNT KIT IS AVAILABLE, FOR ORDER, SEPARATELY



MT-HP4 COMPACT UNIT WITH 2-PEN PRINthead (1")



POWER SUPPLY



DEALER:

SIGNEA [PTY] Ltd
SYSTEME

+27 11 965 0823
admin@signea.co.za
www.signea.co.za



HSA SYSTEMS
A UNIQUE IMPRINT

HSA Systems Denmark

DK-2740 Skovlunde | +45 4494 0222 || DK-5260 Odense S | +45 6610 3401

HSA Systems France

F-93160 Noisy-Le-Grand | +33 1 4815 5050

www.hsasystems.com | mail@hsasystems.com